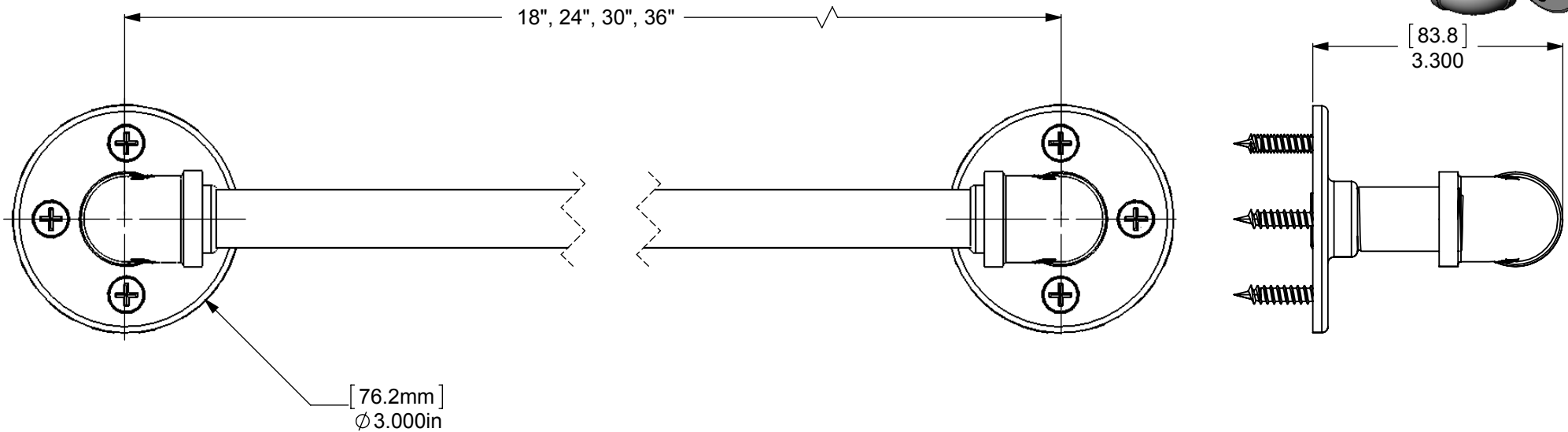
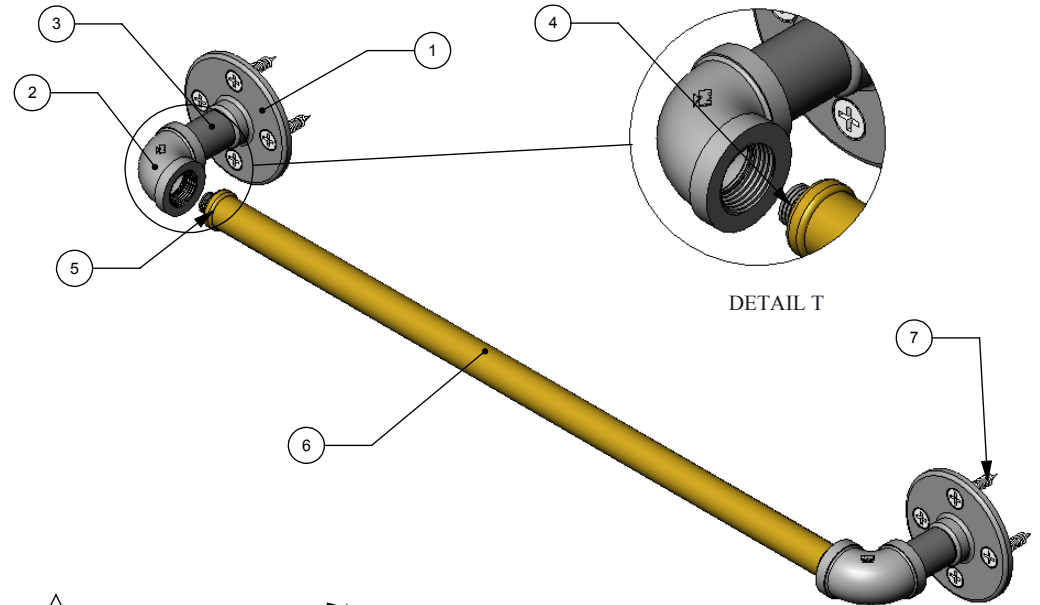


ITEM NO.	PART NUMBER	DESCRIPTION	QTY.
1	PIPE-FL12-3	1/2" FLANGE	2
2	PIPE-EL12-90	1/2" 90 DEG. ELBOW	2
3	PIPE-NIP12-2	1/2" 2" NIP	2
4	BUS-12X18	1/2" BUSHING	2
5	CRRD-34	3/4" CK RING	2
6	TU34	TUBE	1
7	WOOD SCREW-12	#12 WOOD SCREW	8



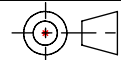
APPROVED FOR PRODUCTION

BY: RICHARD PAUL
DATE: 5/23/2017

UNLESS OTHERWISE STATED

.X	±.3mm
.XX	±.15mm
.XXX	±.008mm

COPYRIGHT © Allied Brass 2017



THIRD ANGLE PROJECTION

DRAWN	5/23/2017	I.M
CHECKED	5/23/2017	P.D
APPROVED	5/23/2017	R.A

MATERIAL:	BRASS
DESCRIPTION:	Pipeline Collection Towel Bar

FINISH	TBD
QUANTITY	TBD
DRAWING No.	P-200-TB
REV	0
SCALE	1:2
SHEET: 01	A4